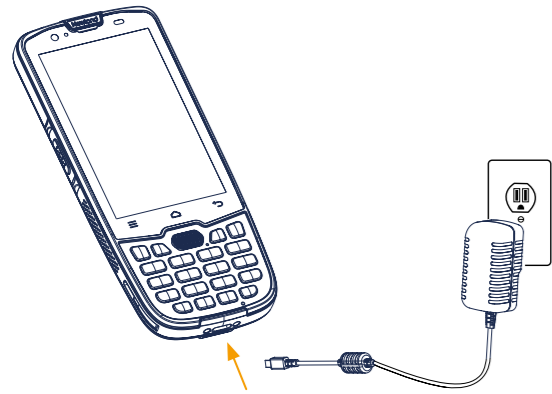


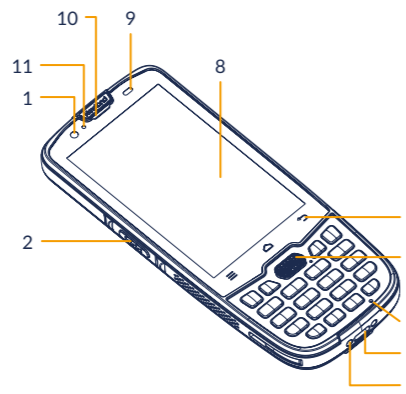
Charging battery



- 1 Low battery may result in a malfunction of the terminal. Before using PDA for the first time, charge the battery for at least 8 hours.
- 2 Connect the USB connector to a power outlet using the included AC adapter and cable. (Do not plug or pull the USB connector violently to avoid damage).

1

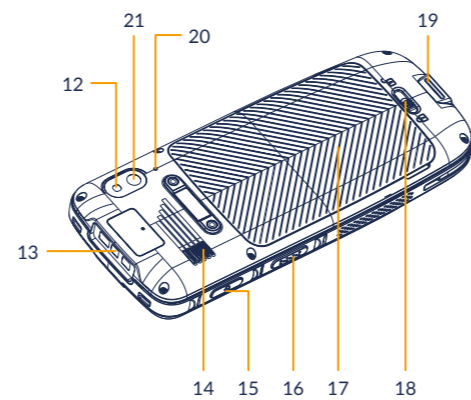
Front view



1 Front Camera (Optional)	2 Left Scan Key
3 Usb Connector	4 Cradle Connector
5 Main Microphone	6 Keypad
7 Virtual Keypad	8 Screen
9 Light/Proximity Sensor	10 Earpiece
11 Led	12 Flashlight

2

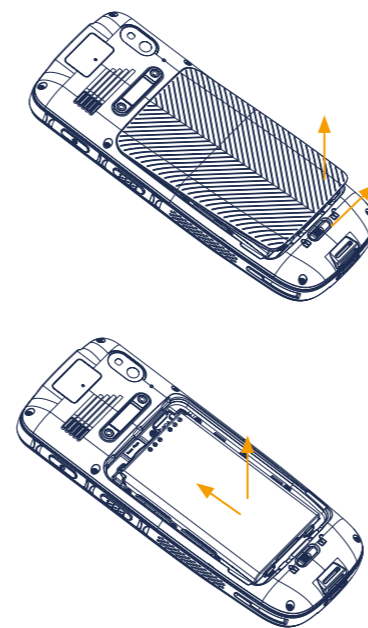
Rear view



13 Scan Window	14 Speaker
15 Power Key	16 Right Scan Key
17 Battery Cover	18 Battery Cover Latch
19 Lanyard Hole	20 Sec. Microphone
21 Rear Camera	

3

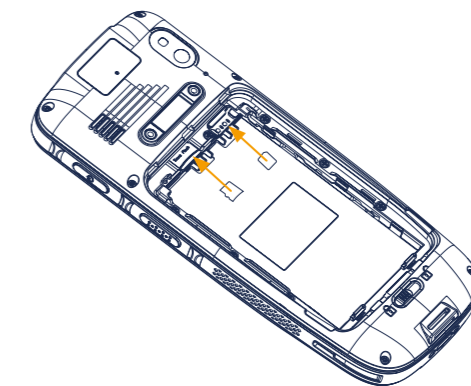
Remove the battery



- 1 Hold down the power key for 5 seconds and then tap "Power Off" to turn off the terminal. Unlock the battery cover latch and remove the cover.
- 2 Remove the battery.

7

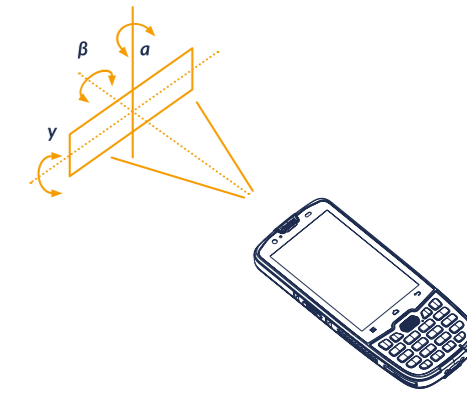
Installing the Micro SD/SIM Card



- 1 Remove the battery cover and pull out the battery.
- 2 Gently insert the SIM and TF cards into their respective slots with the gold contacts facing down. Push until they click into place. Do not force them, as this may cause damage.

8

Scanning barcodes

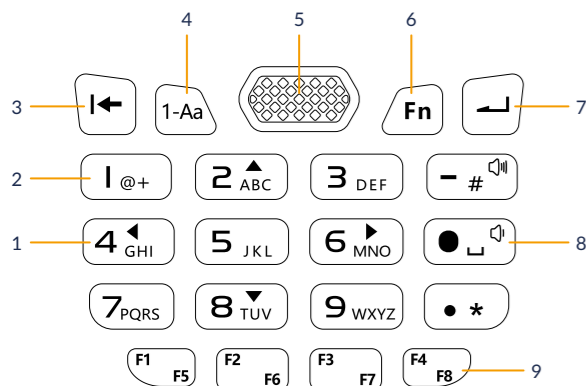


Adjust the scan angle and the distance between the device and the target barcode to make them fall into the following ranges:

- 1 Point the device's focus lamp at the center of the barcode.
- 2 Move the device until you find the appropriate scan distance.
- 3 Optimum scan angles:
Skew (α) < 45° (0° preferably)
Pitch (γ) < 45° (5° - 20° preferably)
Roll (β) = 0° - 360°

9

Key

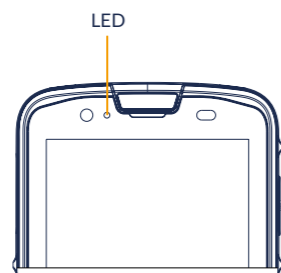


1 Arrow Shortcut Key	2 Number Key
3 Backspace Key	4 Alphanumeric Key
5 Main Scan Key	6 Fn Key
7 Enter Key	8 Volume Shortcut Key
9 User-Defined Key	

* Shortcut key usage: Press the Fn key and then shortcut to activate the function. Double-click the FMN key to lock the FN function.

4

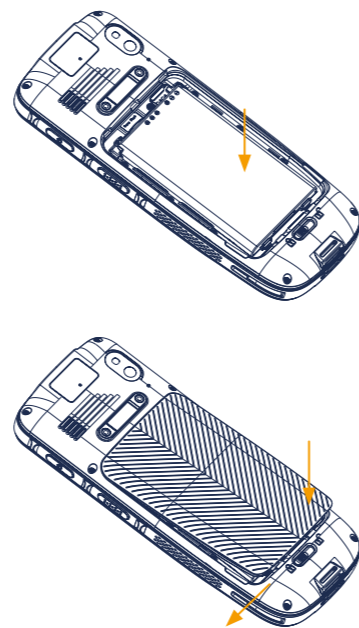
LED Status



Scan/Decode	
Green LED flashes once	Decode successfully
Charging/Battery Status	
Green LED on	Fully charged
Red LED on	Charging in progress
Red LED flashes	Low-battery alert

5

Installing the battery



- 1 Unlock the battery cover latch as shown in the figure above, and then remove the cover.
- 2 Insert the battery as indicated into the battery compartment, with its metal contacts facing down and lining up with the metal contacts on the inside of the terminal.

6

Safety guidelines

Before using the device, please read through the following safety guidelines carefully to ensure proper operation and compliance with applicable regulations.

Device Safety Guidelines

- 1 Do not use the device's wireless functionalities where wireless device use is prohibited or where it may cause interference or danger, such as in medical facilities, aircrafts, or petrol stations.
- 2 Do not throw, drop or strike the device. Doing so may damage the LCD display, interrupt running programs, cause data loss in memory and result in malfunction.
- 3 Do not use the device in environments with high humidity, dust, or strong magnetic fields, as these conditions may result in internal circuit malfunctions.
- 4 Use only the battery and AC adapter provided by Newland. Ensure that the charging port is clean and free from debris before charging.
- 5 Do not use the device in environments with extremely low or high temperatures. The recommended operating temperature is 0C to 45°C (32°F-113°F). Battery performance will be limited when the temperature drops below 0C (32°F). For cold chain applications, use batteries designed for low-temperature environments. Charging is not supported below 0C (32°F).
- 6 Do not place the device in direct sunlight, such as on a vehicle dashboard or near a window sill.
- 7 Before cleaning and performing maintenance, ensure the device is powered off and disconnected from all external devices and cables.
- 8 Use only a dry soft cloth to clean the device. Cleaning it with wet cloth or benzene/thinner/other volatile chemicals may deform and shorten the service life of the keypad and shell of the device.
- 9 Do not attempt to disassemble or retrofit the device yourself. Unauthorized disassembly or retrofit will void the warranty. In case of any damage, please contact your dealer or Newland customer service center.

Battery Safety Guidelines

- 1 Improper handling of the battery may result in fire, explosion, or injury. Do not disassemble it, insert foreign objects, or expose it to liquids.
- 2 Do not drop, crush, or puncture the battery. Excessive force or pressure may cause internal short circuits, overheating, or potential battery failure.
- 3 Discontinue use if the battery has been submerged in water. If the battery is swelling, bulging, or having other abnormalities, please stop using it immediately. Properly dispose of and recycle batteries. Do not dispose of them as household garbage.
- 4 Battery lifespan is affected by usage frequency. If the lifespan decreases significantly, replace it with a new battery. Use only the battery provided by Newland.
- 5 If the device will not be used for a long time, charge the battery at least every six months to prevent over-discharge.

10

Newland AIDC
SCANNING MADE SIMPLE



**MT67
SEI II**



Visit our website
newland-id.com