

The FM60 barcode scanner (hereinafter referred to as "the FM60" or "scanner"), armed with the Newland patented **UIMC**, a computerized image recognition system, blends image recognition algorithm and manufacturing, which significantly simplifies application design and delivers superior performance and solid reliability.

The FM60 supports all mainstream 1D and standard 2D. It can read barcodes on commodities and mobile phones, featuring excellent scanning performance and easy installation.

The scanner must be connected to a host device in an actual application, such as a PC, POS, or any intelligent terminal with a USB or RS-232 port, using a data cable.



**FM60**  
**CUBERA AI**

Quick Start Guide V1.0

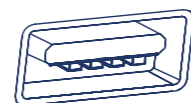


Figure 1: USB port on the host device

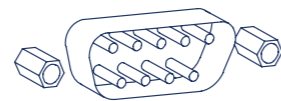


Figure 2: RS-232 port on the host device

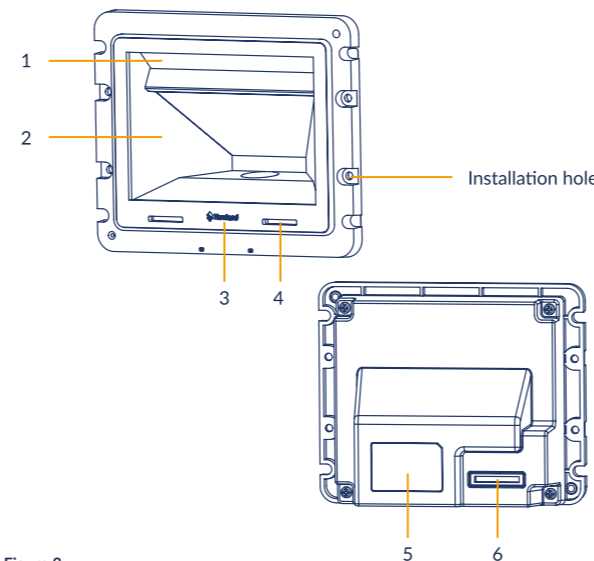


Figure 3:

- 1 Illumination LED for supplementary lighting, not to look at the illumination LED directly for a long time;
- 2 Scan window, the barcode shown in the scan window will be decoded;
- 3 Status indicator, used to indicate the working status;
- 4 Sound hole, the sound is emitted from the hole;
- 5 Position of label, where the label is pasted;
- 6 10-pin box connector, to connect the host with the data cable.

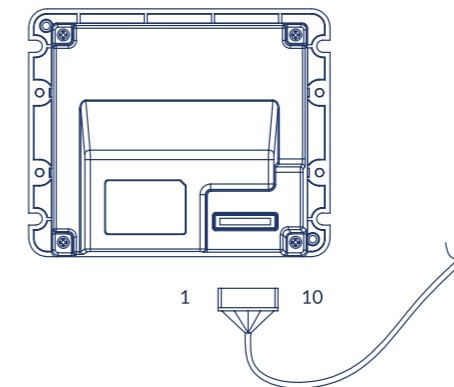


Figure 4:

**Power on**

Connect the scanner to a host device with a data cable with USB and 10-pin box connectors:

- 1 Plug the cable's 10-pin connector into the data port on the scanner.
- 2 Plug the cable's USB connector into the USB port on the host device.

Note: Power supply with a current over 500mA is needed.

**Power off**

Directly disconnect the data cable.

- Blue LED on:** Initializing or configuration process
- Green LED on:** It indicates successful decode
- Cyan LED on:** Configuration is successful
- Yellow LED on:** The decoding is successful, but an alarm is emitted due to data transmission failure. Please check if the data cable connection is loose.
- Red LED on:** An alarm occurs because of a barcode scanning module malfunction. Please contact technical support.
- Red LED flashes:** An alarm for low input voltage because of insufficient power supply of the USB interface.

**Barcode scanning**

- 1 Make sure that the scanner, the data cable, the host, and power supply are properly connected and powered on normally.
- 2 Place the barcode in the field of view and aim it at the scan window. The illumination LED will be activated, the red illumination area will appear and the decoding process will begin.
- 3 When the good read beep sounds and the green LED is on, it indicates the decoding is successful. The scanner will transmit the decoded data to the host.

**Installation**

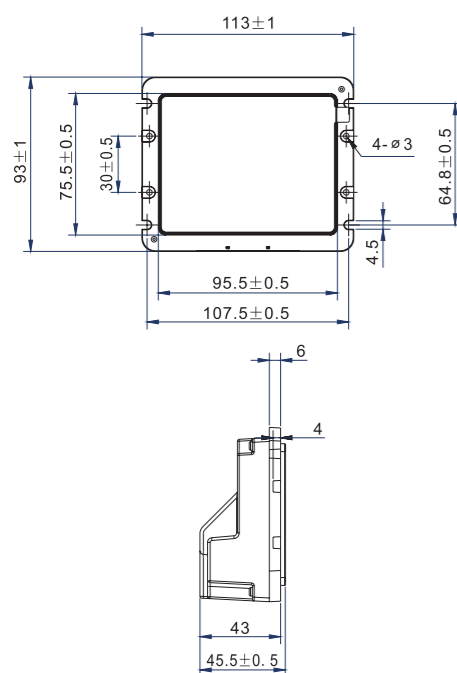


Figure 5: Please install the FM60 via the screw hole as shown.

**General parameter setting process**

<b>Enter / Exit setup</b>	
 @SETUPE1 ** Exit setup	 @SETUPE0 Exit setup
<b>Factory defaults</b>	
 @FACDEF Restore all factory defaults	<b>Query product information</b>
	 @QRYSYS Query product information
<b>USB interface conversion</b>	
 @INTERF8 USB CDC	 @INTERF3 ** USB-KBW
<b>RS-232 interface</b>	
 @INTERF0 RS-232	

**General parameter setting process**

<b>Terminating character suffix</b>	
 @TSUENA0 Disable terminating character suffix	 @TSUENA1 ** Enable terminating character suffix
<b>Set terminating character suffix</b>	
 @TSUSET Set terminating character suffix	 @TSUSET0D ** Set terminating character to CR (0x0D)
<b>Good read beep volume</b>	
 @GRBVLL20 ** Loud	 @GRBVLL12 Medium

**General parameter setting process**

 @GRBVLL5 Low
---------------------

**CE / WEEE**



Marking and European Economic Area (EEA)

**Statement of Compliance**

We hereby declare that this device complies with the essential requirements and other relevant provisions of Directive 2014/53/EU. The ventilation should not be impeded by covering the ventilation openings with items such as newspapers, table cloths, curtains, etc.;;  
This product's max operating ambient temperature is 55 degrees C.  
--- Direct Current Symbol



**Recycling**  
This product bears the selective sorting symbol for waste electrical and electronic equipment (WEEE). This means that this product must be handled pursuant to European directive 2012/19/EU in order to be recycled or dismantled to minimize its impact on the environment.

**FCC / More information**

**Radiofrequency interface requirements**

**Radio transmitters (part 15)**

This device complies with part 15 of the FCC rules.

Operation is subject to the following two conditions:

- 1 This device may not cause harmful interference.
- 2 This device must accept any interference received, including interference that may cause undesired operation.



Tested to comply with FCC Standards

FOR HOME OR OFFICE USE



Visit our website  
[newland-id.com](http://newland-id.com)