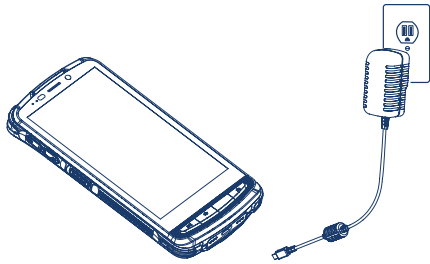


Charging the battery

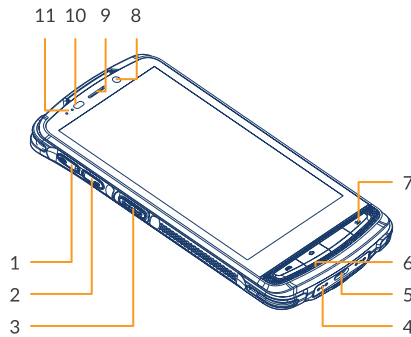
Low battery may result in a malfunction of the terminal.
Before using the MT90 for the first time, charge the battery for at least 6 hours.



Connect the USB port at the bottom of the terminal to a power outlet using the included AC adapter. (For the location of the USB port, see item 5 in the front view).

1

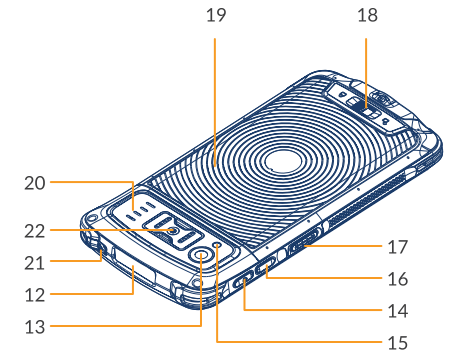
Front view of the MT90



1	Volume +	2	Volume -
3	Left scan key	4	Cradle connector
5	USB	6	Microphone
7	Keypad	8	Front camera (optional)
9	Earpiece	10	Light/proximity sensors
11	Red/Blue LEDs		

2

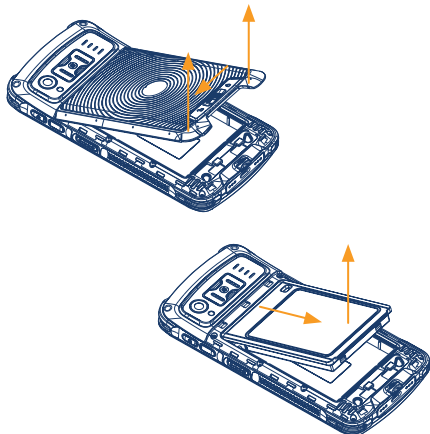
Back view of the MT90



12	Scan window	13	Rear camera
14	Power key	15	Flashlight
16	User-defined key	17	Right scan key
18	Battery cover latch	19	NFC detection area
20	Speaker	21	Headphone jack cover
22	Expansion port		

3

Removing the battery

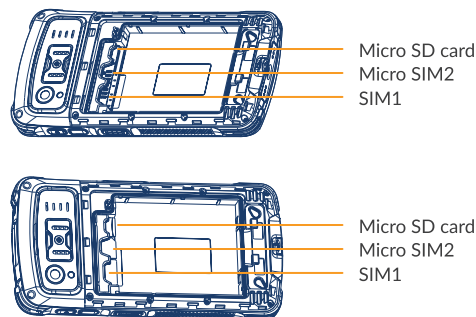


Step 1: Hold down the Power key for 5 seconds and then tap "Power off" to turn off the terminal. Slide the battery cover latch to the unlock position and remove the cover.

Step 2: Remove the battery.

7

Installing the Micro SIM card / SIM card



Step 1: Slide the battery cover latch to the unlock position, then remove the cover.

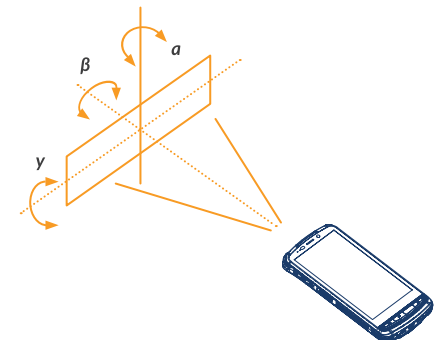
Step 2: Insert the micro SD card/SIM card/micro SIM card into the corresponding slot, with its metal contacts facing down.

8

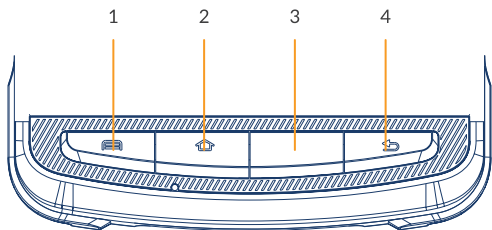
Scanning barcodes

Adjust the scan angle and the distance between the MT90 and the target barcode to make them fall into the following ranges:

- 1 Point the MT90's focus lamp at the center of the barcode.
- 2 Move the MT90 until you find the appropriate scan distance.
- 3 Optimum scan angles:
Skew (a) < 45° (0° preferably)
Pitch (y) < 45° (5° - 20° preferably)
Roll (β) = 0° - 360°

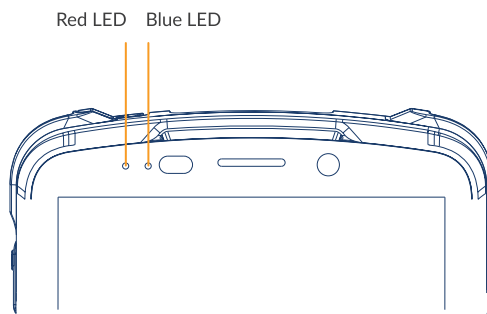


9



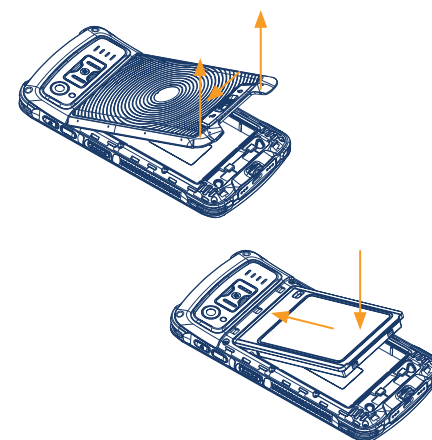
1	Menu key	2	Home key
3	Scan key	4	Return key

4



Scan / Decode	
Blue LED flashes once	Good read
Charging / Battery statuses	
Blue LED on	Fully charged
Red LED on	Charging in progress
Red LED flashes constantly	Low-battery alert

5



- Step 1:** Slide the battery cover latch to the unlock position and remove the cover.
- Step 2:** Insert the battery as indicated into the battery compartment, with its metal contacts facing down and lining up with the metal contacts on the side of the terminal.

6

Battery safety guidelines

- 1 Do not dispose of batteries in a fire, as they may explode.
- 2 The battery can be charged and discharged over 500 times. If the battery life is unreasonably short, please replace the battery with a new one.
- 3 Use only the included battery and AC adapter.
- 4 Do not continue to charge a battery that is fully charged. Overcharging will shorten the battery lifespan. If a fully charged battery is not used, it will discharge slowly, which does not affect normal use.
- 5 Do not use damaged or faulty AC adapters or batteries.
- 6 Properly dispose of any recycle batteries. Do not dispose of them as household garbage.

10

More information



Visit our website
newland-id.com



MT90
 Orca
 Series

