

## Charging the battery

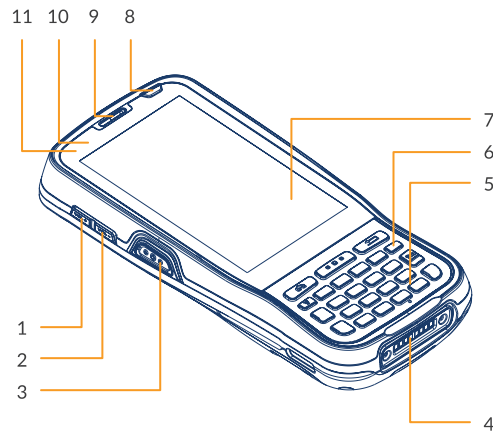
Low battery may result in malfunction of the terminal.  
Before your first use, charge the battery for at least 8 hours.



Connect the USB port on the terminal to a power outlet using the included AC adapter. (For the location of the USB port, see item 13 in the back view).

1

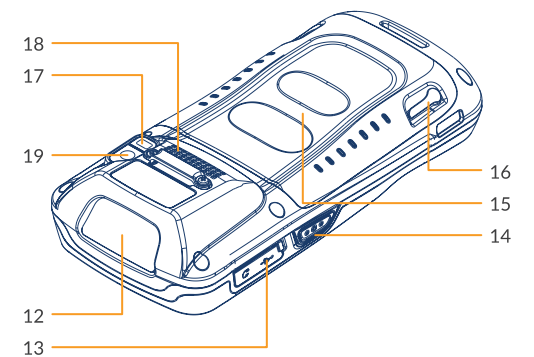
## Front view of the MT65



1	Volume +	2	Volume -
3	Left scan key	4	Cradle connector
5	Microphone	6	Keypad
7	Capacitive touch screen	8	Power key
9	Earpiece	10	Blue LED
11	Red LED		

2

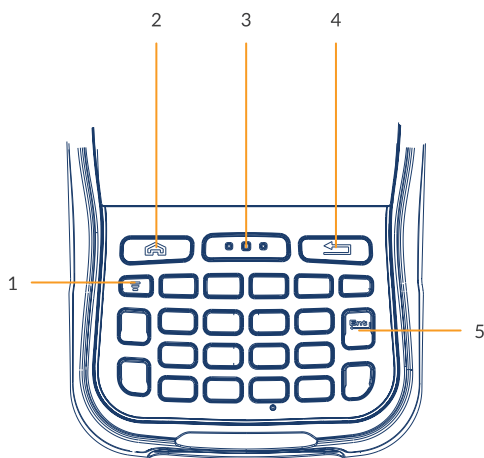
## Back view of the MT65



12	Scan window	13	USB/Headset/Connector cover
14	Right scan key	15	NFC detection area (optional)
16	Battery cover latch	17	Speaker
18	Flashlight	19	Camera

3

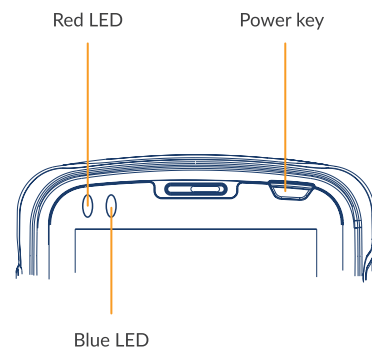
## Keypad



1	Menu key	2	Home key
3	Scan key	4	Return key
5	Enter key		

4

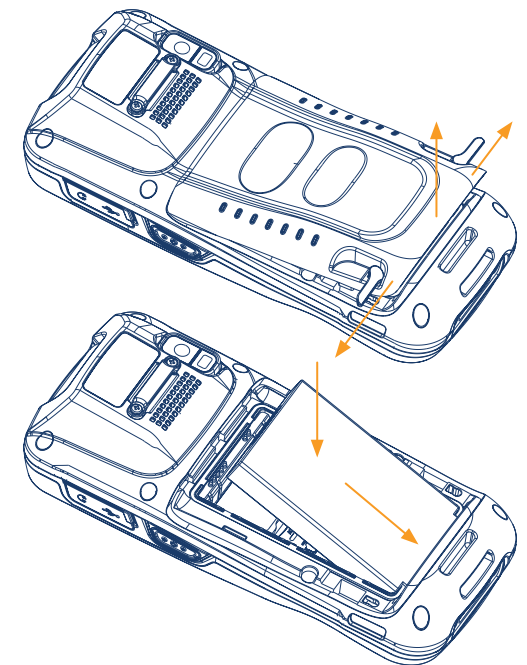
## LED Indications



Scan / Decode	
Blue LED flashes once	Good read
Charging / Battery statuses	
Blue LED on	Fully charged
Red LED on	Charging in progress
Red LED flashes constantly	Low-battery alert

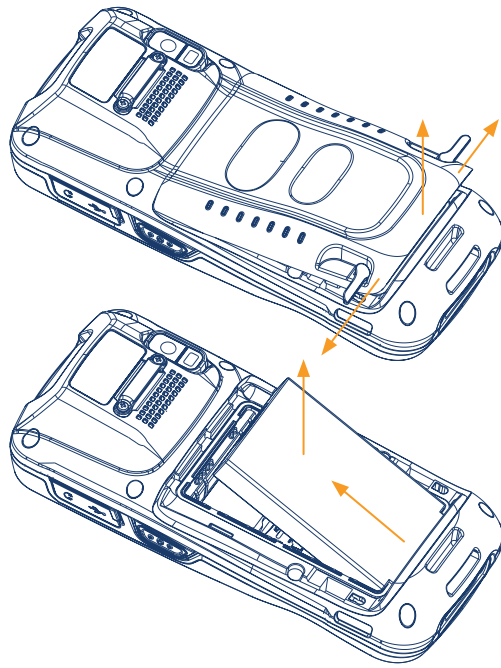
5

## Installing the battery



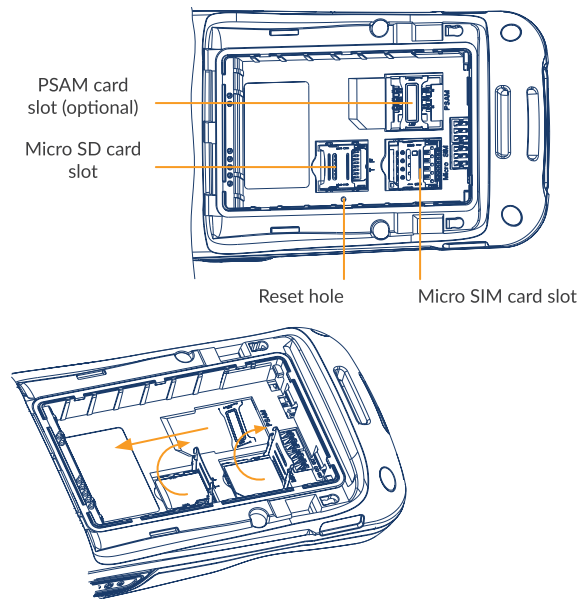
**Step 1:** Unlock the battery cover latches and remove the cover.  
**Step 2:** Insert the battery as indicated into the battery compartment, with its metal contacts facing down and lining up with the metal contacts on the side of the terminal.

6



- Step 1:** Press and hold the power key for 5 seconds to turn off the terminal. Unbuckle and loosen the hand strap. Unlock the battery cover latches and remove the cover.
- Step 2:** Remove the battery.

7

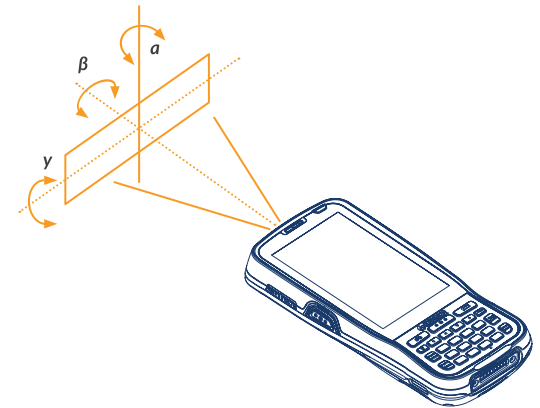


- Step 1:** Unbuckle the loosen the hand strap. Unlock the battery cover latches and remove the battery cover and battery. Slide the slot cover rightward and lift the left end of it.
- Step 2:** Insert the micro SD card / micro SIM card into the holder, with its metal contacts facing down.
- Step 3:** Close the slot cover and slide it leftward until it clicks.

8

Adjust the scan angle and the distance between the MT65 and the target barcode to make them fall into the following ranges:

- 1 Point the MT65's focus lamp at the center of the barcode.
- 2 Move the MT65 until you find the appropriate scan distance.
- 3 Optimum scan angles:  
 Skew ( $\alpha$ ) < 45° (0° preferably)  
 Pitch ( $\gamma$ ) < 45° (5° - 20° preferably)  
 Roll ( $\beta$ ) = 0° - 360°



9

## Battery safety guidelines

- 1 Do not dispose of batteries in a fire, as they may explode.
- 2 The battery can be charged and discharged over 500 times. If the battery life is unreasonably short, please replace the battery with a new one.
- 3 Use only the included battery and AC adapter.
- 4 Do not continue to charge a battery that is fully charged. Overcharging will shorten the battery lifespan, which does not affect its normal use.
- 5 Do not use damaged or fault AC adapters or batteries.
- 6 Properly dispose of any recycle batteries. Do not dispose of them as household garbage.

10

## More information



Visit our website  
[newland-id.com](http://newland-id.com)



MT65  
 Beluga  
 Series

