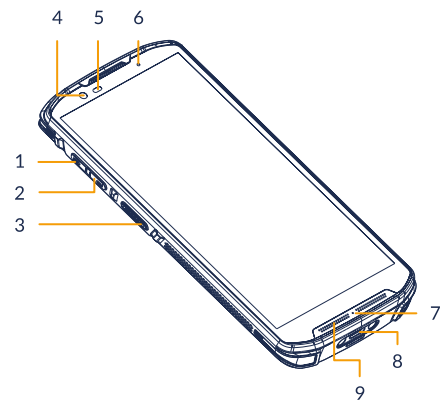


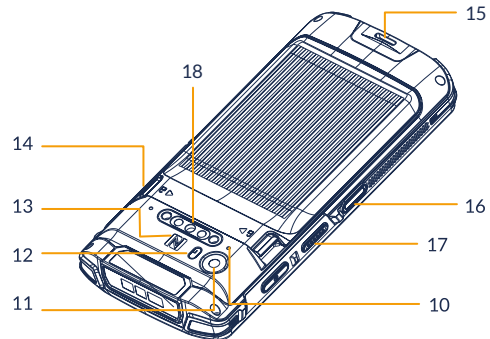
Front view of the MT95



1	Volume +	2	Volume -
3	Left scan key	4	Front camera
5	Light & proximity sensors	6	LED
7	Main microphone	8	USB type-C connector
9	Speaker		

1

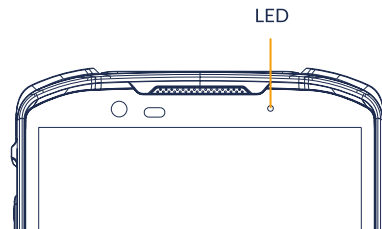
Back view of the MT95



10	Noise reduction microphone	11	Rear camera
12	Flashlight	13	NFC
14	Battery cover latch	15	Lanyard hole
16	Fingerprint	17	Right scan key
18	Extended contacts		

2

LED status

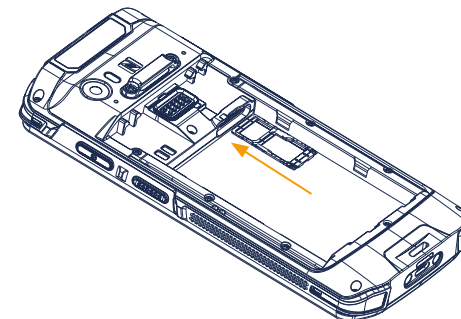


LEDs on the MT95	
Red LED on	Charging in progress
Red LED flashes constantly	Low-battery alert
Green LED on	Fully charged
Blue LED flashes constantly	Incoming call/message reminder

3

Installing the SIM card

- Step 1:** Use two fingers to hold down the spring locks on the left and right ends of the battery cover, press inward in the direction of the arrow, and then remove the battery.
- Step 2:** Pull and tray out from the SIM card slot.
- Step 3:** Place the Nano SIM into the tray and then gently push the tray all the way into the slot until it locks in place.



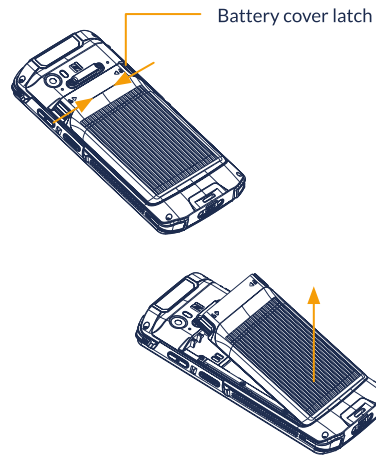
4

More information



Visit our website
newland-id.com

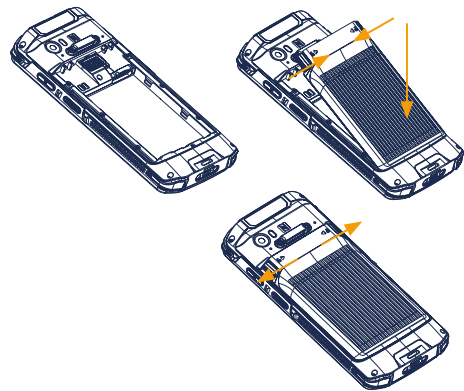
Removing the battery



- Step 1:** Hold down the Power key for 5 seconds and then tap "Power off" to turn off the terminal.
- Step 2:** Use two fingers to hold down the spring locks on the left and right ends of the battery cover, press inward in the direction of the arrow, and then remove the battery.

5

Installing the battery



- Step 1:** Use two fingers to hold down the spring locks on both ends of the battery cover and press inward in the direction of the arrow.
- Step 2:** Insert the battery as indicated into the battery compartment, with its metal contacts facing down and lining up with the metal contacts on the side of the terminal.
- Step 3:** Release the spring lock buckle and lock the position.

6

Scanning barcodes

Adjust the scan angle and the distance between the MT95 and the target barcode to make them fall into the following ranges:

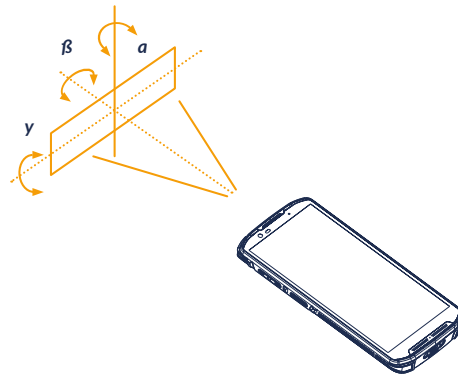
- 1 Point the MT95's focus lamp at the center of the barcode.
- 2 Move the MT95 until you find the appropriate scan distance.

3 Optimum scan angles:

Skew (α) < 45° (0° preferably)

Pitch (γ) < 45° (5° - 20° preferably)

Roll (β) = 0° - 360°



7

Safety guidelines

Before using the device, please read through the following safety guidelines carefully to ensure proper operation and compliance with applicable regulations.

Device Safety Guidelines

- 1 Do not use the device's wireless functionalities where wireless device use is prohibited or where it may cause interference or danger, such as in medical facilities, aircrafts, or petrol stations.
- 2 Do not throw, drop or strike the device. Doing so may damage the LCD display, interrupt running programs, cause data loss in memory and result in malfunction.
- 3 Do not use the device in environments with high humidity, dust, or strong magnetic fields, as these conditions may result in internal circuit malfunctions.
- 4 Use only the battery and AC adapter provided by Newland. Ensure that the charging port is clean and free from debris before charging.
- 5 Do not use the device in environments with extremely low or high temperatures. The recommended operating temperature is 0C to 45C (32°F-113°F). Battery performance will be limited when the temperature drops below 0C (32°F). For cold chain applications, use batteries designed for low-temperature environments. Charging is not supported below 0C (32°F).
- 6 Do not place the device in direct sunlight, such as on a vehicle dashboard or near a window sill.
- 7 Before cleaning and performing maintenance, ensure the device is powered off and disconnected from all external devices and cables.
- 8 Use only a dry soft cloth to clean the device. Cleaning it with wet cloth or benzene/thinner/other volatile chemicals may deform and shorten the service life of the keypad and shell of the device.
- 9 Do not attempt to disassemble or retrofit the device yourself. Unauthorized disassembly or retrofit will void the warranty. In case of any damage, please contact your dealer or Newland customer service center.

Battery Safety Guidelines

- 1 Improper handling of the battery may result in fire, explosion, or injury. Do not disassemble it, insert foreign objects, or expose it to liquids.
- 2 Do not drop, crush, or puncture the battery. Excessive force or pressure may cause internal short circuits, overheating, or potential battery failure.
- 3 Discontinue use if the battery has been submerged in water. If the battery is swelling, bulging, or having other abnormalities, please stop using it immediately. Properly dispose of and recycle batteries. Do not dispose of them as household garbage.
- 4 Battery lifespan is affected by usage frequency. If the lifespan decreases significantly, replace it with a new battery. Use only the battery provided by Newland.
- 5 If the device will not be used for a long time, charge the battery at least every six months to prevent over-discharge.

8



MT95
KAMBUR
PRO III