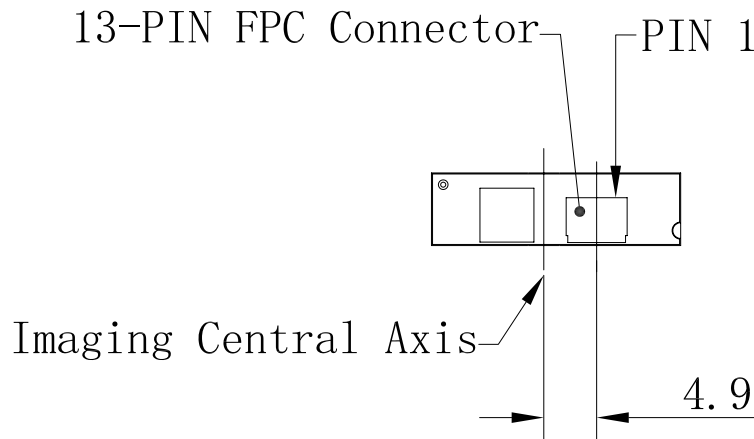


Interface

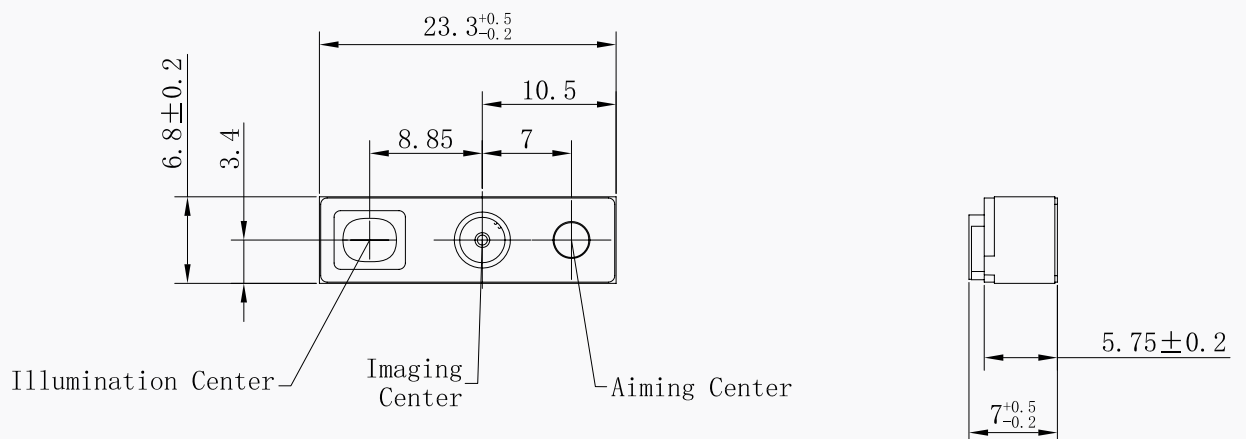
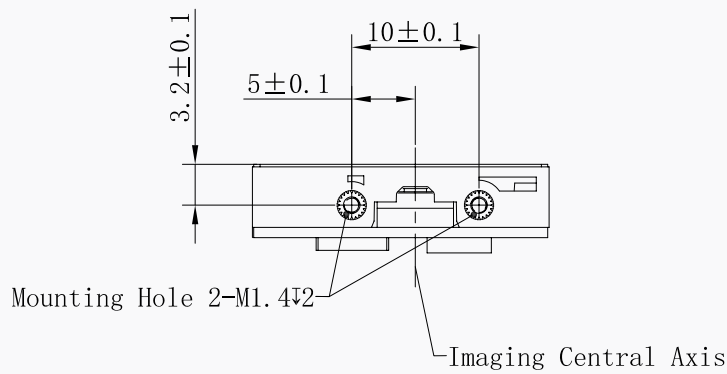
Pinouts



Mechanical

Mounting

Dimensions
(unit: mm)



Dimensions: 23.8 (w) x 7.5 (D) x 7.0 (H)mm (max)