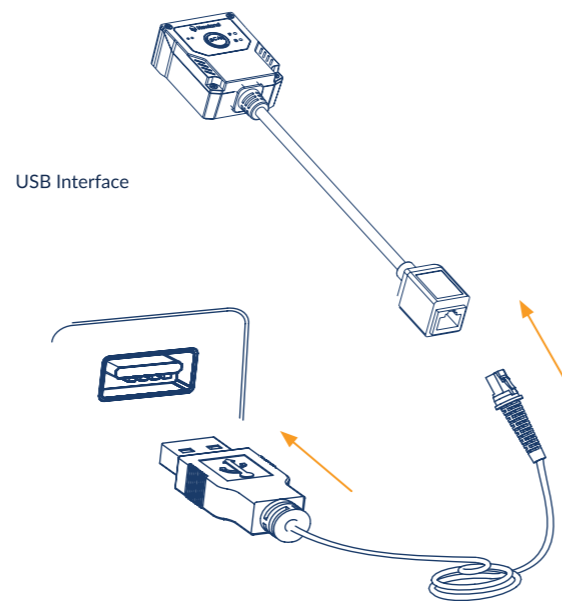
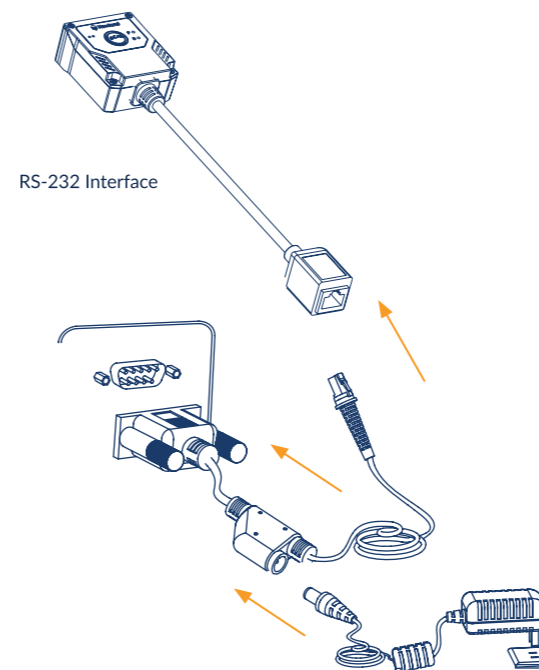


1



Note: The host refers to a PC, POS, or other terminal equipment.

2



3

Sense scan mode (default)

- 1 Connect the scanner to a host with the cable. Then the scanner will be powered on.
- 2 Position the barcode on mobile phone screen or paper in the center of the scan window.
- 3 For a good read, the green good read LED on the scanner will flash once.

Troubleshooting

When the scanner is not working, please:

- 1 Ensure that all cable connections are secure and that only the supplied cables are used.
- 2 Ensure that the screen backlight is on when reading digital barcodes off a mobile phone and that the barcode is not defaced when reading it on paper. Wrinkled, soiled, or torn barcodes might be unreadable.
- 3 Ensure that the barcode type is enabled.

4

Barcode programming



** Exit setup / Enter setup



Restore all factory defaults



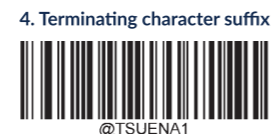
** Power-on beep on / Power-on beep off



** Good read beep on / Good read beep off

5

Barcode programming



** Enable terminating character suffix



Disable terminating character suffix



** Set terminating character suffix to CR (0x0D)



Set terminating character suffix to CRLF (0x0Dx0x0A)

Note: Asterisks (**) indicate factory default values.

6

CE / WEEE



Marking and European Economic Area (EEA)

Statement of Compliance

We hereby declares that this device is in compliance with the essential requirements and other relevant provisions of Directive 2014/53/EU. The ventilation should not be implied by covering the ventilation openings with items, such as newspapers, table-cloths,curtains, etc.; This product's max operating ambient temperature is 50 degrees C.

Direct Current Symbol



Recycling

This product bears the selective sorting symbol for Waste electrical and electronic equipment (WEEE). This means that this product must be handheld pursuant to European directive 2012/19/EU in order to be recycled or dismantled to minimize its impact on the environment.



**FM431
Barracuda
Pro**



Visit our website
newland-id.com