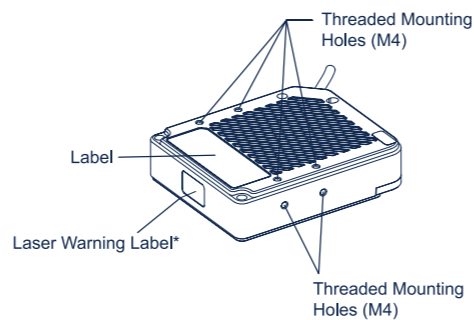
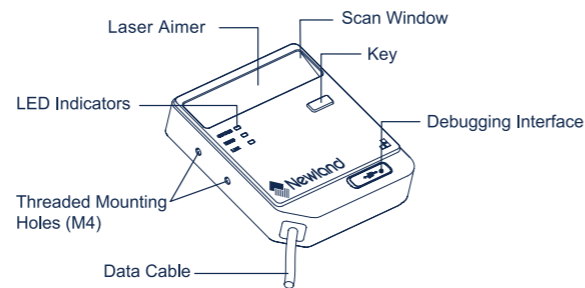


Warning!

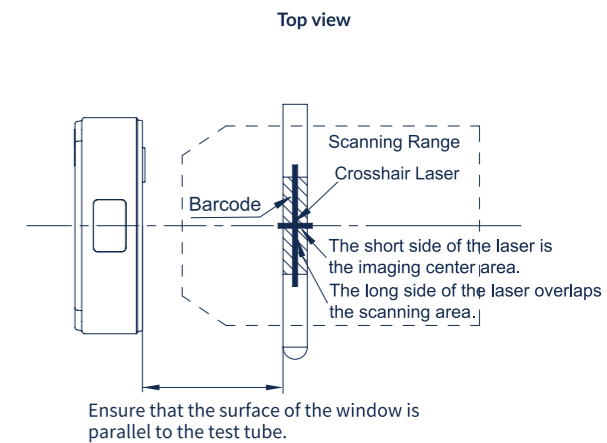
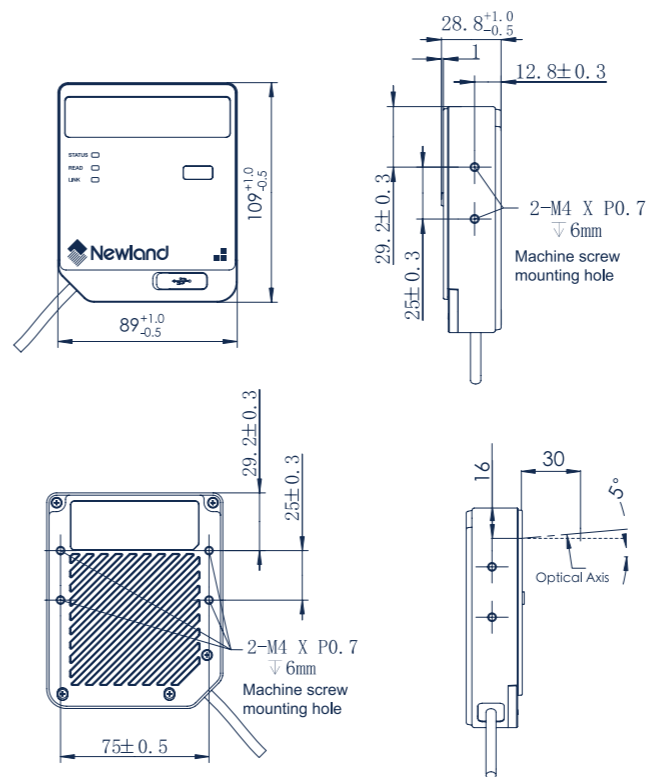
Please note the following safety guidelines:

- 1 The FM530 Pro is a laser class 1 device. Do not stare into the beam.
- 2 Turn off the laser aimer upon completion of scanner positioning/aiming. Aiming is not needed in operation.

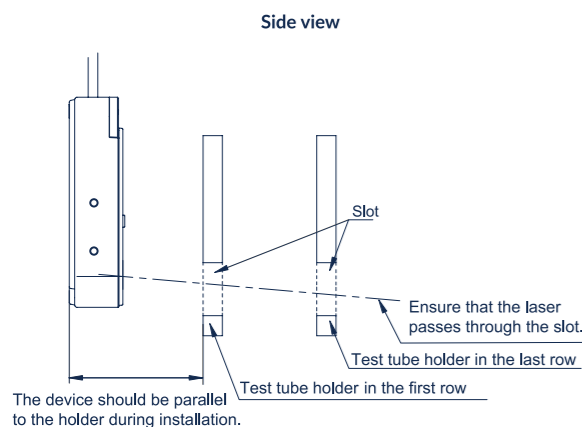
Laser specifications	
Type	Green laser
Wavelength	515nm
Pulse width	≤ 200us
Classification	Class 1
Output	< 0.39mW



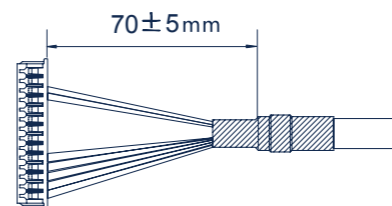
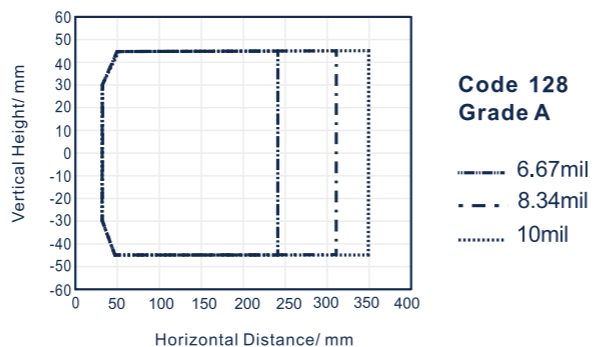
*Laser Warning Label



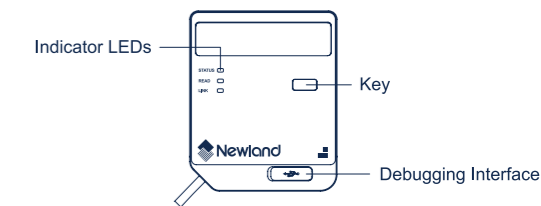
Note: Note: Use the laser aimer in debug mode to ensure the reading area is centered on codes to be read



- Note:
- When the scanner is initially powered, the laser aimer is disabled by default.
 - The laser aimer is intended to be used during installation via debugging mode to optimize installation and then disabled in normal use.
 - For more details on using the laser aimer, refer to the Key Operation section and the user guide.



Wire color	Signal	I/O	Function
Red	DC IN	P	Power supply
Orange	SW IN	I	Switch input
Purple	GND	P	Ground
Black	SW OUT	O	Switch output
White	RS 232 RXD	I	RS-232 input
Green	RS 232 TXD	O	RS-232 output
Yellow	FE/Shield	-	Shield



LED Indicators:

Item	Description
Status	Green LED on: Indicates the device is powered on and is in standby mode. Red LED on: Indicates a fault condition. Orange LED on: Indicates the device is in debug mode.
Read	Green LED flashes: Indicates a good read.
Link	Reserved for future use.

USB debugging interface:

The Type-C interface is used to upgrade the device, update and download the firmware.

Enter Debug Mode:

- 1 While pressing the key button, apply power to the scanner.
Continue to press the key button until the aiming laser turns on and the scanner emits three beeps, then release the key button.
- 2 While in debug mode, the laser aimer will come on, indicating the center of the scan area.
- 3 While in the debug mode, the scanner will prefix the number of good reads as a prefix to the barcode data, allowing optimization of the scanners position and aiming.
- 4 To exit debug mode, either depress the key button until the scanner emits three beeps, then release the key button, or cycle power to the scanner.
- 5 While in working mode, press the key button once and the scanner will emit a single beep and go into single read mode, turning on illumination until a code is read or the key button is pressed again.
- 6 While in working mode, holding the key button down until the scanner beeps three times will enable continuous mode. Holding the button down again until the scanner beeps three times exits the continuous mode.



Marking and European Economic Area (EEA)

Statement of Compliance

We hereby declare that this device is compliant with the mandatory requirements and provisions under Directive 2014/53/EU, EN 62471:2008 IEC 60825-1:2014, EN 60825-1:2014+A11:2021, EN 50689:2021



Recycling

This product bears the selective sorting symbol for waste electrical and electronic equipment (WEEE), meeting EU directive 2012/19/EU

Enter / exit setup



Enter setup



Exit setup

Factory defaults



Restore all factory defaults

Aiming LED



Always on



Off

Radiofrequency interface requirements Radio transmitters (part 15)

This device complies with part 15 of FCC standards, concerning RF compatibility and susceptibility



FOR HOME OR OFFICE USE

Caution!

Protect the scan window from abrasion and contamination.

If the scan window needs to be cleaned, use a clean, lint free cloth and commercially available window cleaner.

There are no user serviceable parts within this product.

Upon encountering faults, please refer to Newland technical support and service for repair and advice.



Visit our website
newland-id.com



FM530 PRO

