

# Laser safety warning

## Warning!

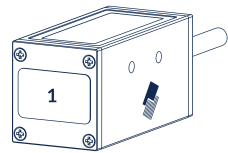
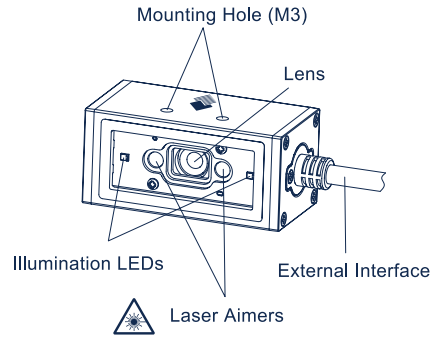
Please follow the regulations below, otherwise it may lead to a hazard to the eyes and skin.

- 1 The FM550 is a class 1 laser device.
- 2 Do not stare into beams.
- 3 Be aware of positioning such that a laser is not at risk of entering eyes of any personnel, either directly or via reflections.
- 4 The laser aimer is intended for initial device positioning. Disable once positioning completed.

Laser specifications	
Type	Red laser
Wavelength	650nm
Pulse width	≤ 300us
Classification	Class 1
Output	< 0.39mW

1

# Appearance



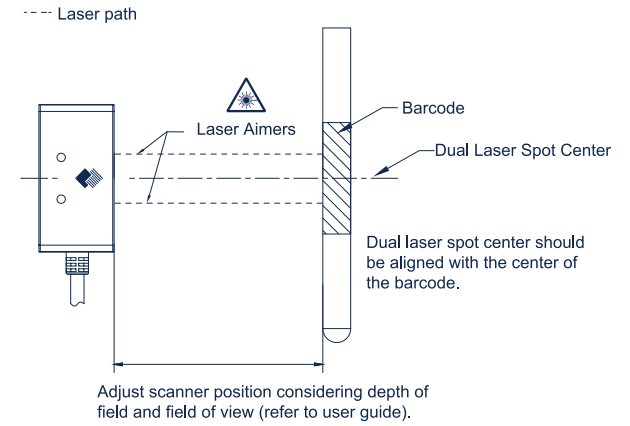
2

\* Laser Warning Label



# Installation

## Side view



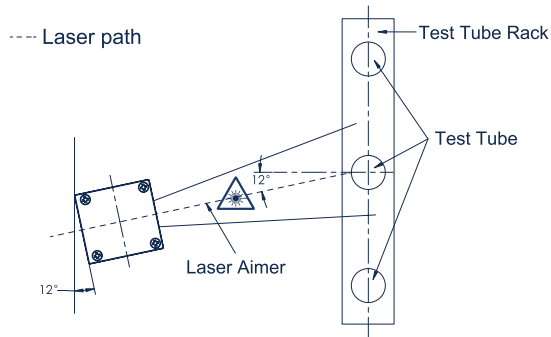
Note:

- By default the laser aiming function is turned off.
- The laser aiming function is intended for initial device positioning and should be turned off upon completion of installation.
- Additional information can be found in the user guide.

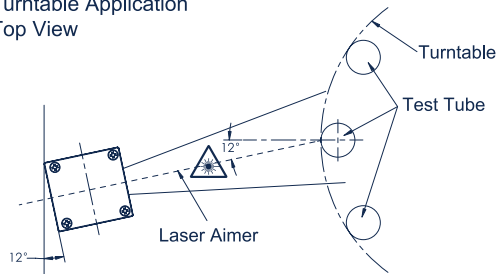
3

# Installation

## Test Tube Rack Application / Top view

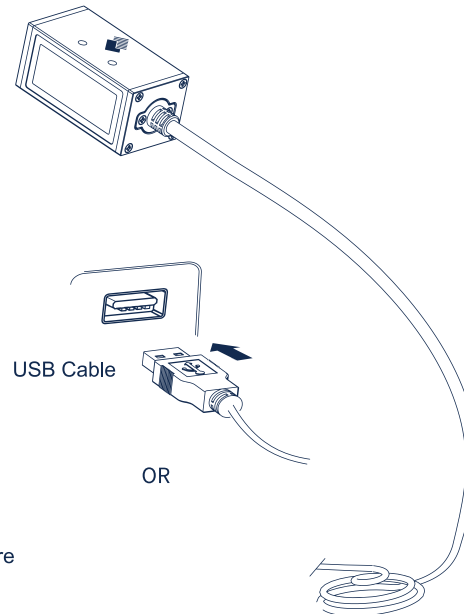


## Turntable Application Top View



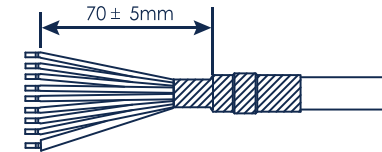
4

# External interface



5

# Tinned wire



Wire color	Signal	I/O	Function
Red	VVC	P	5V power supply
Green	RS232_TX	O	RS-232 output
White	RS232_RX	I	RS-232 input
Purple	GND	P	Power supply ground
Black	SW OUT	O	IO output
Orange	SW IN	I	IO input
Brown	USB_D-	I/O	USB D- differential data signal
Blue	USB_D+	I/O	USB D+ differential data signal
Black (thick)	FE	P	Shield

6

Enter / exit setup



Enter set up



Exit set up

Factory defaults



Restore all factory defaults

7

Laser aiming mode



Enter aiming mode



Exit aiming mode

Laser aiming mode: When the device enters this mode, the scanner will scan continuously in 100 scan sessions, each session separated by a flash of the illumination. After each session, a percentage read rate will be transmitted to the host as a prefix to the scanned data.

Laser Aimer



Always on



Off

The FM550 will automatically enter continuous mode within 3 seconds of applying power, allowing initial configuration via programming codes. At this time, the laser aimer is off

8

Caution!

- Protect the scan window from abrasion and contamination.
- If the scan window needs to be cleaned, use a clean, lint free cloth and commercially available window cleaner.
- There are no user serviceable parts within this product.
- Upon encountering faults, please refer to Newland technical support and service for repair and advice.

Radiofrequency interface requirements Radio transmitters (part 15)

This device complies with part 15 of FCC standards concerning RF compatibility and susceptibility



FOR HOME OR OFFICE USE

9

CE



Marking and European Economic Area (EEA)

Statement of Compliance

We hereby declare that this device is compliant with the mandatory requirements and provisions under Directive 2014/53/EU, EN 62471:2008 IEC 60825-1:2014, EN 60825-1:2014+A11:2021, EN 50689:2021

WEEE / More information



Recycling

This product bears the selective sorting symbol for waste electrical and electronic equipment (WEEE), meeting EU directive 2012/19/EU



FM550



Visit our website  
newland-id.com