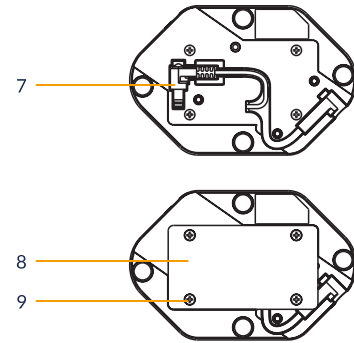
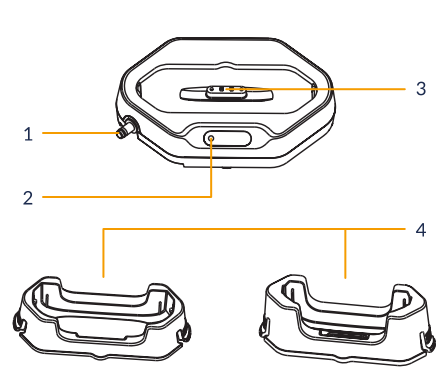
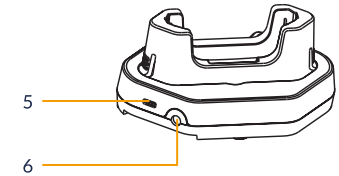


About MCD93



1 DC Plug	2 Power indicator
3 Charging contacts	4 Interchangeable device holder
5 USB type-C port	6 DC Jack
7 Power cable	8 Mounting plate
9 Screw	

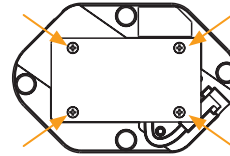


1

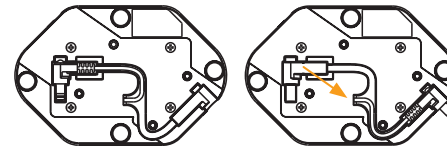
2

Assemble cradles

Step 1:
Unscrew the four screws that fix the mounting plate.



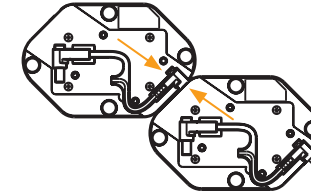
Step 2:
Move the DC plug cable from the left to the right slot as shown below.



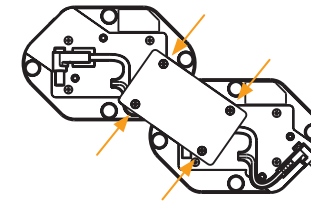
3

Assemble cradles

Step 3:
Assemble the cradles by inserting the DC plug of the first cradle into the jack of the second cradle.



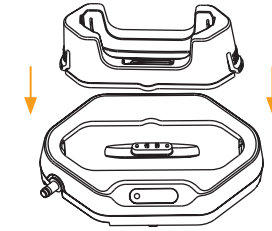
Step 4:
Fix the assembled cradles by installing the mounting plate across the two cradles.



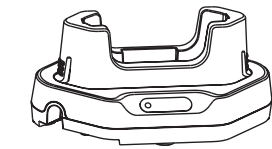
4

Install the device holder

Step 1:
Inserting the corresponding device holder in the cradle as shown below.

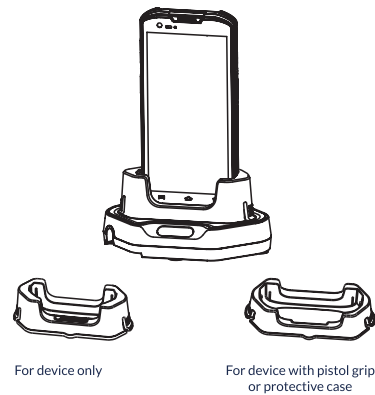


Step 2:
Install successfully.



5

Choose the device holder



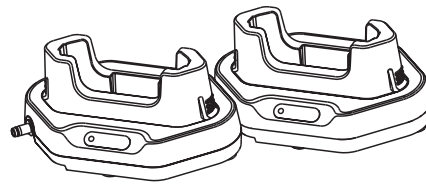
The charging cradle can support three charging options:

- 1 Device with pistol grip;
- 2 Device with protective case;
- 3 Device only;

The interchangeable device holder needs to be switched according to the charging status.

6

Charge the assembled cradles



To charge the assembled cradles, the high-voltage DC plug adapter is required (needs to be purchased separately). Charging the assembled cradles: Connect the charging cradle to the high-voltage DC plug adapter, then connect the power adapter to a power supply.

Note: The charging cradles can be assembled up to 4.

7

Safety guidelines

- 1 Do not charge in direct sunlight or a humid environment. If the power adapter is faulty, please contact the manufacturer to replace it with a new one.
- 2 Do not incinerate or short-circuit the cradle; otherwise, danger may occur.
- 3 Do not throw, drop, or strike the cradle. Doing so might damage the internal components and result in a malfunction.
- 4 Use only a dry, soft cloth to clean the terminal. Cleaning it with wet cloth or benzene/thinner/other volatile chemicals may deform and shorten the service life of the terminal's shell.
- 5 For safety, please use the original adapter during charging. Please try to avoid charging for a long time. After fully charging, please disconnect the power supply.
- 6 Li-ION technology requires that the battery's temperature is above 0°C when charging.

8

More information



Visit our website
newland-id.com



MCD93
CHARGING
CRADLE

