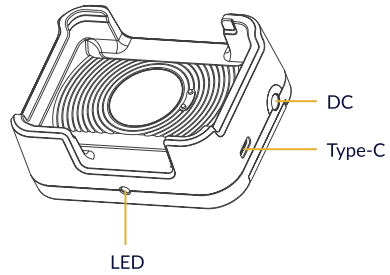


**WCD10**  
Charging Cradle for WD1



Quick Guide V1.0

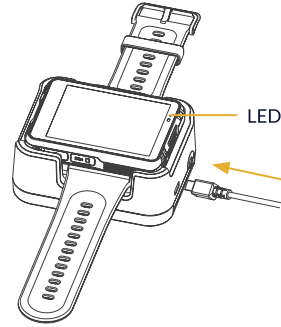
Installation instruction



LED in the cradle indicates the power status of the cradle. While the LED is red, it means the power of the cradle is on.

1

Installation instruction

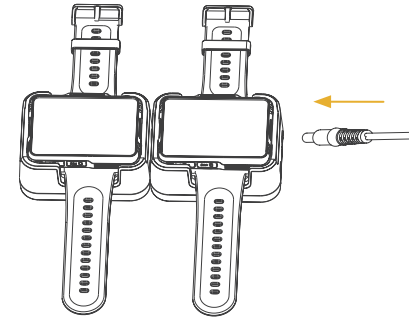


**Indication of charging LED on watch**

Blue LED on	Fully charged
Red LED on	Charging in progress

2

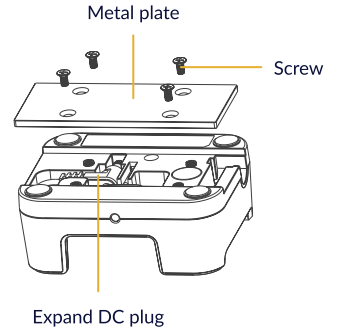
Installation instruction



A maximum of 5 cradles can be combined.

3

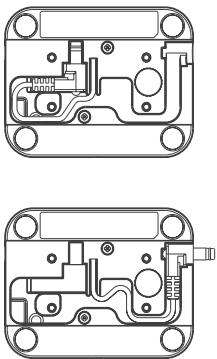
Installation instruction



1 Remove the screws and the metal plate.

4

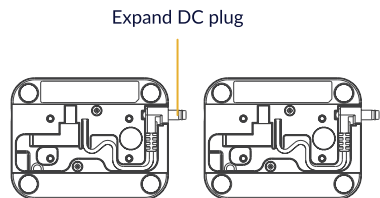
Installation instruction



2 Take out the expand DC plug and put it as shown.

5

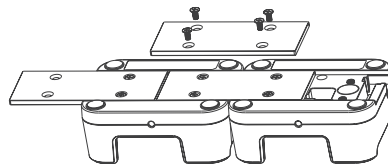
Installation instruction



3 Put the DC plug into another cradle.

6

Installation instruction



4 Install the screws as shown.

7

CE/FCC

**Marking and European Economic Area (EEA)**

- Maximum radiated transmit power of 10mW EIRP in the frequency range 2.400 - 2.4835 GHz
- Italy requires a user license for outside usage.

**Radio frequency interference requirements**

**Radio transmitters (part 15)**

This device complies with part 15 of the FCC Rules. Operation is subject to the following two conditions:

- 1 This device may not cause harmful interference, and
- 2 This device must accept any interference received, including interference that may cause undesired operation.



8

Support information



For more information and technical support, please visit [newland-id.com/contact](http://newland-id.com/contact)

Newland Europe BV  
Rolweg 25  
4104 AV Culemborg  
The Netherlands