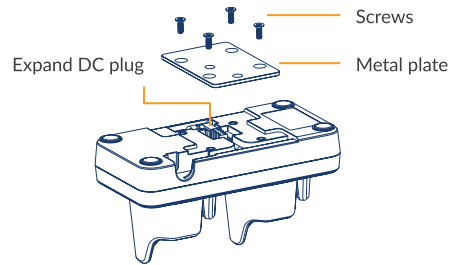


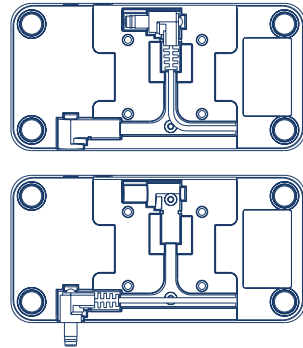
Installation instruction



1 Remove the screws and the metal plate.

4

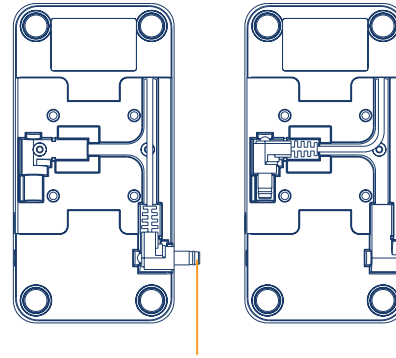
Installation instruction



2 Take out the expand DC plug and put it as shown.

5

Installation instruction

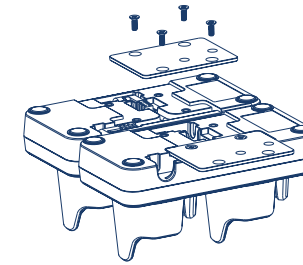


Expand DC plug

3 Put the DC plug into another cradle.

6

Installation instruction



4 Install the screws as shown.

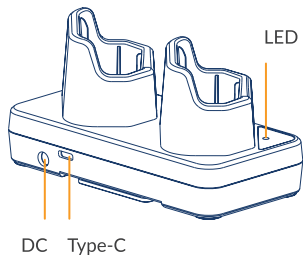
7

Attentions

- 1 Do not charge in direct sunlight or humid environments. If the AC adapter is faulty, please contact the manufacturer to replace it with a new one.
- 2 Do not incinerate or short-circuit the cradle, otherwise, danger may occur.
- 3 Do not throw, drop or strike the cradle. Doing so might damage the internal components and result in malfunction.
- 4 Only use the dry soft cloth to clean the terminal. Cleaning it with a wet cloth or benzene/thinner/other volatile chemicals deform and shorten the service life of the terminal's shell.
- 5 For safety, please use the original adapter during charging. Please try to avoid charging for a long time. After fully charged, please disconnect the power supply.

8

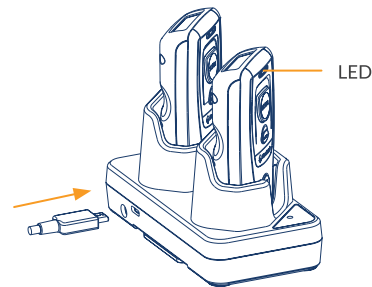
SCD80



LED in the cradle indicates the power status of the cradle. While the LED is red, it means the power of the cradle is on.

1

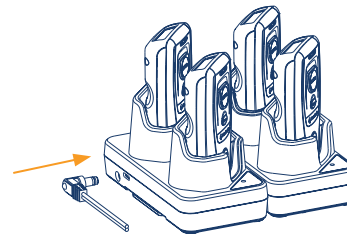
SCD80



Indication of charging LED on scanner	
Green LED on	Fully charged
Red LED on	Charging in progress

2

SCD80



A maximum of 5 cradles can be combined.

3

More information



Visit our website
newland-id.com



SCD80
Two slots
Charging Cradle

