

BS80  
Piranha II



Quick Start Guide V1.0

This manual is for the NLS-BS8080-1D and NLS-BS8080-2D which are part of the BS80 series.

**Introduction**

The BS80 is a wireless pocket barcode scanner equipped with a 1D or 2D scan engine to meet different needs. It is a great space-saver for busy or limited workspaces. It also supports iOS, Android, and Windows devices through Bluetooth HID or SPP or BLE communication.

**Useful tips**

- The scanner will be turned off automatically after 30 minutes of inactivity. To turn it off, manually scan the Power Off barcode.
- To turn on the scanner for the first time, hold down the Scan/Power button for 3 seconds until the scanner beeps.
- When using the Bluetooth HID profile, users need to enable the input method (the host's operating system is recommended) and switch to English input mode on the connected host.

**What's in the box**

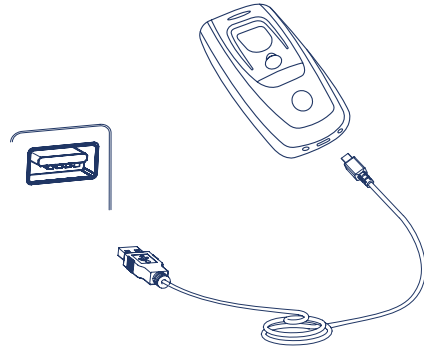
- 1 Barcode scanner, 1 Cable with USB-C connector, 1 Quick Start Guide

**Safety Instructions**

Read the operating instructions and additional safety information carefully. Newland is not liable for improper use of products and resulting damage to the property and/or injuries to the user.

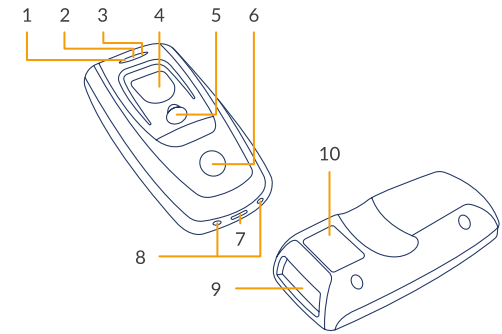
- Don't put the scanner in places with excessively high temperatures and do not expose it to direct sunlight.
- Don't use the scanner in extremely humid areas or in case of drastic temperature changes.
- The rechargeable battery is permanently built into the product and cannot be replaced.
- Never damage the rechargeable battery. Damaging the casing of the battery might cause an explosion or a fire.

A low battery may result in the failure or malfunctioning of the scanner. Please charge the scanner for 3-4 hours before your first use. Refer to page 4 for more information regarding the Charging/Battery LED light and status.



Charge the scanner by connecting it to a host with the included USB-C cable.

**Note:** The scanner should not be powered on when the battery is very low. Please charge the battery for at least 15 minutes before turning on the scanner.



- |                        |                                |
|------------------------|--------------------------------|
| 1 Charging/Battery LED | 2 Good read LED                |
| 3 Data LED             | 4 Scan/Power button            |
| 5 Delete/Reset button  | 6 Function button/Function LED |
| 7 Type-C Port          | 8 Charged contractor           |
| 9 Scan window          | 10 Product label               |

1 Charging/Battery LED	
Red LED on	Charging in progress
Green LED on	Fully charged
Red LED flashes	Low battery alert

If the scanner is on and it is not connected to PC via Type-C cable, pressing the Scan/Power button and Delete/Reset button at the same time can display the battery level with the Charging/Battery LED.

Green LED on	High battery level
Red and green LEDs on	Medium battery level
Red LED on	Low battery level

When the battery is too low, the scanner will beep with flashing red Charging/Battery LED. Please charge it immediately before the scanner shuts down mandatorily. When it shuts down, please charge it fully, before repowering on the scanner.

2 Good Read LED	
Green LED on	Fully charged

3 Data LED	
Red LED flashes	There is dat in flash memory
Red LED on	Flash memory depleted

6 Function LED	
Blue LED flashes slowly	Bluetooth mode enabled, but no Bluetooth connection established
Blue LED on	Bluetooth connection established
Blue LED flashes quickly	Data transmission via Bluetooth in progress
Red LED on	USB mode enabled
Red LED flashes	Data transmission via USB in progress

4 Scan/Power button	
Press the button to scan barcode. Hold down the button for 3s to power the scanner on	

Press the button to remove the corresponding data from the flash memory in one of the following conditions before scanning the barcode to be deleted: (i) Bluetooth mode enabled but no Bluetooth connection established; (ii) Bluetooth mode & Batch Transmission enabled; (iii) USB mode enabled but no USB cable connection made; or (iv) USB mode & Batch Transmission enabled. Hold down the button for 7s to power the scanner off.

6 Function Button	
Press the button to turn on/off the HID keyboard of the connected IOS device in Bluetooth mode.	
Hold down the button for 3s to start data transmission in either of the following conditions: (i) Bluetooth mode & Batch Transmission enabled; or (ii) USB mode enabled and the scanner connected to PC via USB cable.	

**LEDs/Additional Button Functions**

4 Scan/Power Button + 5 Delete/Reset Button	
Press the two buttons at the same time to check the battery level with the Charging/Battery LED.	
Hold down the two buttons at the same time for 3s to delete all stored data in the flash memory in either of the following conditions: (i) Bluetooth mode enabled, Bluetooth connection established, and Batch Transmission & Verify Receipt of Data enabled; or (ii) USB mode enabled, the scanner connected to PC via USB cable and Verify Receipt of Data enabled.	

4 Scan/Power button	
Hold down the two buttons at the same time for 3s to toggle between Bluetooth and USB mode.	

5 Delete/Reset Button + 6 Function Button	
Press the two buttons at the same time to unpair the paired Bluetooth device from the scanner in Bluetooth mode and to make the scanner discoverable by other Bluetooth devices.	

**LEDs/Additional Button Functions**

4 Scan/Power Button + 5 Delete/Reset Button	
Press the two buttons at the same time to check the battery level with the Charging/Battery LED.	
Hold down the two buttons at the same time for 3s to delete all stored data in the flash memory in either of the following conditions: (i) Bluetooth mode enabled, Bluetooth connection established, and Batch Transmission & Verify Receipt of Data enabled; or (ii) USB mode enabled, the scanner connected to PC via USB cable and Verify Receipt of Data enabled.	

4 Scan/Power button	
Hold down the two buttons at the same time for 3s to toggle between Bluetooth and USB mode.	

**1 Enter/Exit Setup**  
Scan "Enter Setup" before barcode setting and scan "Exit Setup" after barcode setting

**1.1 Enter Setup**



**1.2 Exit Setup**



**2 Good read beep**

**2.1 Good read beep on**



**2.2 Good read beep off**



**3 Good read vibration**

**3.1 Good read vibration on**



**3.2 Good read vibration off**



**4 Time stamp**

The default setting of the BS80 time stamp is Beijing time. For more about setting time stamps, please refer to the use guide.

**4.1 Disable time stamp**



**4.2 Enable time stamp**



**4.3 Time stamp format**



**5 Operating mode**

**5.1.1 Bluetooth HID-KBW**



**5.1.2 Bluetooth SPP**



**5.1.3 Bluetooth BLE**



**5.2.1 USB HID-KBW**



**5.2.2 USB CDC**



**6 Batch mode**

**6.1 Automatic batch mode**



**6.2 Manual batch code**



**6.3 Disable batch mode**



Adjust the scan angle (do not read the barcode at vertical degree) or the distance between the barcode and the scanner to ensure that the length of the scan line is roughly 88mm greater than that of the barcode, as shown below.



Correct	Wrong

Adjust the scan angle and the distance between the barcode and the scanner to make them fall into the following ranges:

- 1 Aim the scan line across the center of the barcode.
- 1 Optimum scan distances: 5 - 20 cm



**Marking and European Economic Area (EEA) Statement of Compliance**  
We hereby declares that this device is in compliance with the essential requirements and other relevant provisions of Directive 2014/53/EU.

The ventilation should not be impeded by covering the ventilation openings with items, such as newspapers, table cloths, curtains, etc.;

This product max operating ambient temperature is 55 degree C.  
— Direct Current Symbol

Bluetooth:  
Maximum RF power: 7.72 dBm.  
frequency range: 2402-2480MHz



**Recycling**  
This product bears the selective sorting symbol for waste electrical and electronic equipment (WEEE). This means that this product must be handled pursuant to European directive 2012/19/EU in order to be recycled or dismantled to minimize its impact on the environment.



Visit our website  
[newland-id.com](http://newland-id.com)