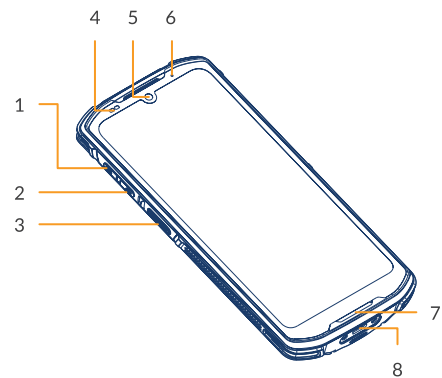


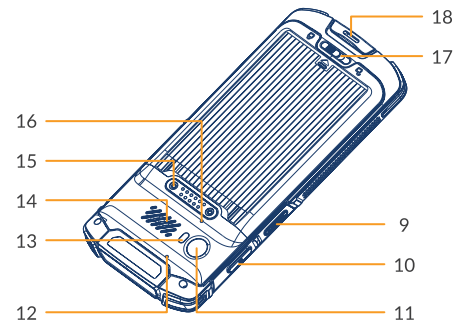
## Front view of the MT95



1	Volume +	2	Volume -
3	Left scan key	4	Light & proximity sensors
5	Front camera	6	LED
7	Main microphone	8	USB type-C connector

1

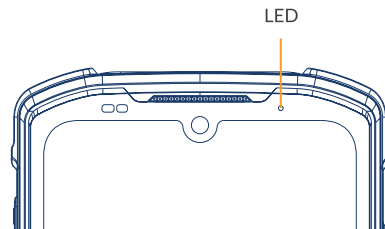
## Back view of the MT95



9	Right scan key	10	Power key (fingerprint optional)
11	Rear camera	12	Noise reduction micropone
13	Flashlight	14	Speaker
15	Extended contacts	16	Barometer sensor hole (optional)
17	Battery cover latch	18	Lanyard hole

2

## LED status

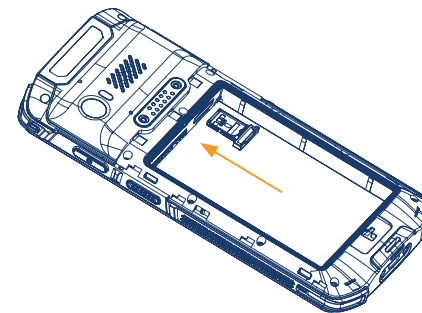


LED's on the MT95	
Red LED on	Charging in progress
Red LED flashes constantly	Low-battery alert
Green LED on	Fully charged
Blue LED flashes constantly	Incoming call/message reminder

3

## Installing the SIM card

- Step 1:** Slide the battery cover latch to the unlock position and remove the cover and battery.
- Step 2:** Pull and tray out from the SIM card slot.
- Step 3:** Place the Nano SIM into the tray and then gently push the tray all the way into the slot until it clicks.



4

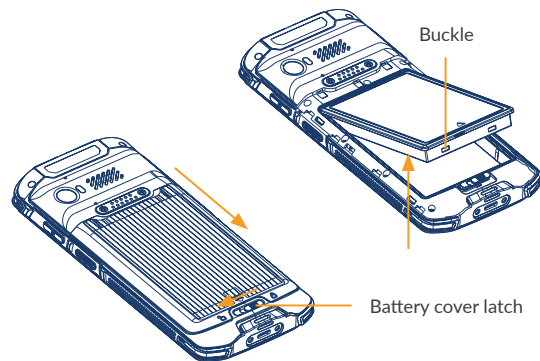
## More information



Visit our website  
[newland-id.com](http://newland-id.com)

PN:

## Removing the battery

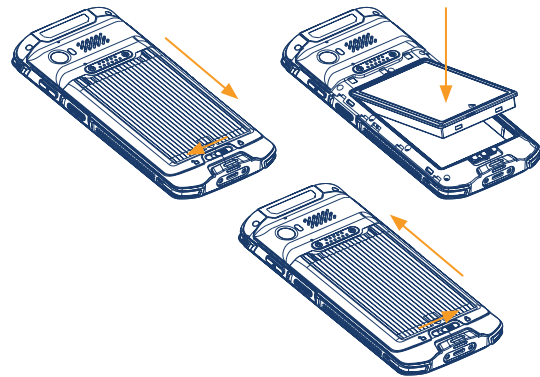


**Step 1:** Hold down the Power key for 5 seconds and then tap "Power off" to turn off the terminal. Slide the battery cover latch to the unlock position and remove the cover.

**Step 2:** Lift up the battery from the buckle and remove it.

5

## Installing the battery



**Step 1:** Slide the battery cover latch to the unlock position, then remove the cover.

**Step 2:** Insert the battery as indicated into the battery compartment, with its metal contacts facing down and lining up with the metal contacts on the side of the terminal.

**Step 3:** Close the cover and slide the battery cover latch to the lock position.

6

## Scanning barcodes

Adjust the scan angle and the distance between the MT95 and the target barcode to make them fall into the following ranges:

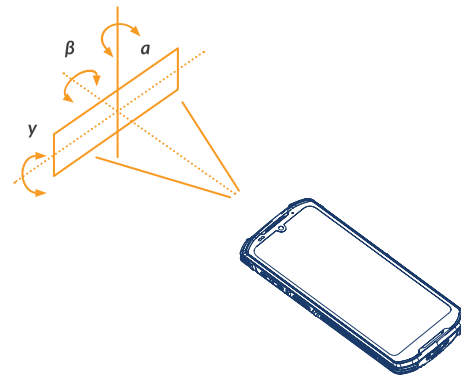
- 1 Point the MT95's focus lamp at the center of the barcode.
- 2 Move the MT95 until you find the appropriate scan distance.

3 Optimum scan angles:

Skew ( $a$ ) < 45° (0° preferably)

Pitch ( $y$ ) < 45° (5° - 20° preferably)

Roll ( $\beta$ ) = 0° - 360°



7

## Safety guidelines

- 1 Do not charge in direct sunlight or humid environment. If the AC adapter is faulty, please replace it with a new one recommended by the manufacturer.
- 2 Don't dispose of batteries in a fire or make them short-circuit, or they may explode. Please use the battery recommended by the manufacturer.
- 3 Do not use the terminal's wireless functionalities where wireless device use is prohibited or where it may cause interference or danger, such as aircrafts, petrol stations.
- 4 If the terminal cannot be switched on after experiencing a sudden or unexpected power loss or other abnormalities, remove and then reinstall its battery to reset the terminal.
- 5 Do not throw, drop or strike the terminal. Doing so may damage the LCD display, interrupt running programs, cause data loss in memory and result in malfunction.
- 6 Sudden temperature drops may cause condensation on the shell, which could cause malfunction. Care should be taken to avoid condensation. If condensation occurs, dry the terminal before use.
- 7 Low battery may result in a malfunction of the terminal. Before using MT95 for the first time, charge the battery for at least 8 hours.

8

MT95  
Kambur  
Pro

