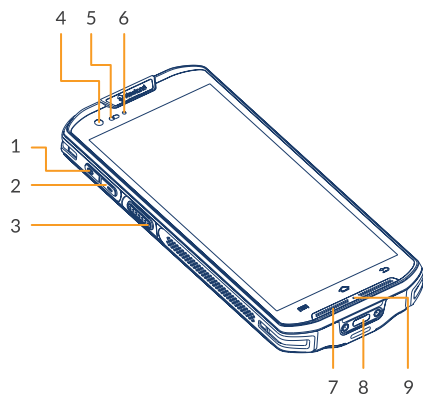


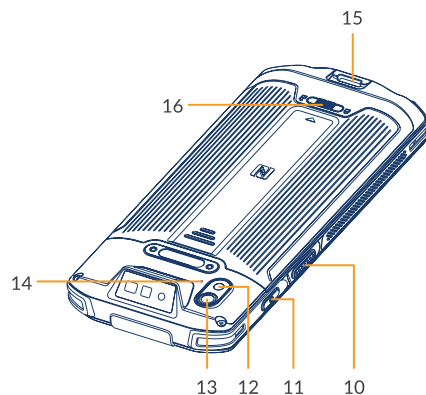
Front view



1	Volume +	2	Volume -
3	Left scan key	4	Front camera
5	Light & proximity sensors	6	LED
7	Speaker	8	USB Type-C connector

1

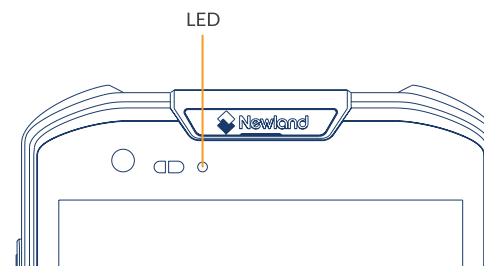
Back view



9	Main microphone	10	Right scan key
11	Power key	12	Flashlight
13	Rear camera	14	Noise reduction microphone
15	Lanyard hole	16	Battery cover latch

2

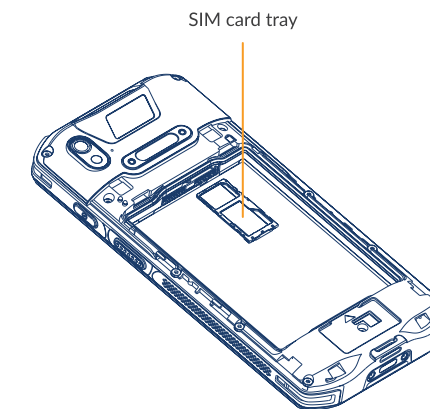
LED status



LEDs on the mobile computer	
Red LED on	Charging in progress
Red LED flashes constantly	Low-battery alert
Green LED on	Fully charged
Blue LED flashes constantly	Incoming call/message reminder

3

Installing the SIM card



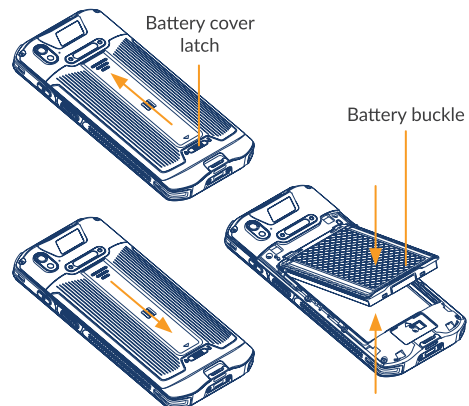
- Step 1:** Slide the battery cover latch to the unlock position and remove the cover and battery.
- Step 2:** Pull the tray out from the SIM card slot.
- Step 3:** Place the Nano SIM into the tray and then gently push the tray all the way into the slot until it locks in place.

4

Safety guidelines

- Do not charge in direct sunlight or humid environment. If the AC adapter is faulty, please replace with a new one recommended by the manufacturer.
- Do not dispose of batteries in a fire or make them short-circuit, or they may explode. Please use the battery recommended by the manufacturer.
- Do not use the terminal's wireless functionalities where wireless device use is prohibited or where it may cause interference or danger, such as aircrafts, petrol stations.
- If the terminal cannot be switched on after experiencing a sudden or unexpected power loss or other abnormalities, remove and then reinstall its battery to reset the terminal.
- Do not throw, drop or strike the terminal. Doing may damage the LCD display, interrupt programs, cause data loss in memory and result in malfunction.
- Sudden temperature drops may cause condensation on the shell, which could cause malfunction. Care should be taken to avoid condensation. If condensation occurs, dry the terminal before use.
- Low battery may result in a malfunction of the terminal. Before using MT93 for the first time, charge the battery for at least 8 hours.

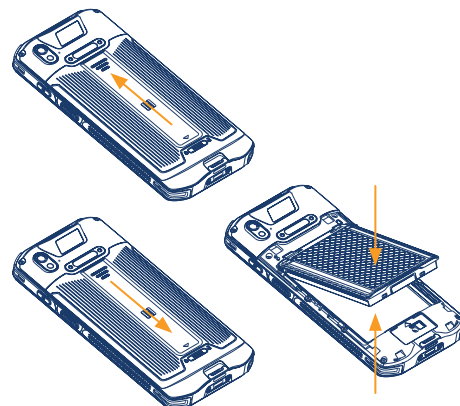
Installing the battery



- Step 1:** Slide the battery cover latch to the unlock position and remove the cover and battery.
- Step 2:** Insert the battery as indicated into the battery compartment, with its metal contacts facing down and lining up with the metal contacts on the inside of the terminal.
- Step 3:** Close the cover and slide the battery cover latch to the lock position.

5

Removing the battery



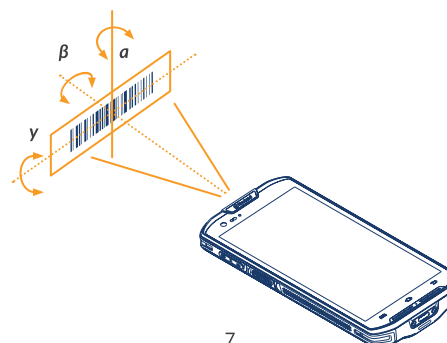
- Step 1:** Hold down the power key for 5 seconds and then tap "power off" to turn off the terminal. Slide the battery cover latch to the unlock position and remove the cover.
- Step 2:** Lift up the battery from the buckle and remove it.

6

Scanning barcodes

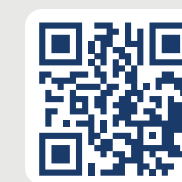
Adjust the scan angle and the distance between the MT93 and the target barcode to make them fall into the following ranges:

- Point the MT93's focus lamp at the center of the barcode.
- Move the MT93 until you find the appropriate scan distance.
- Optimum scan angles:
 Skew (a) < 45° (0° preferably)
 Pitch (y) < 45° (5° - 20° preferably)
 Roll (β) = 0° - 360°



7

More information



Visit our website
newland-id.com



MT93
 Megattera
 Pro



Powered by
 MediaTek